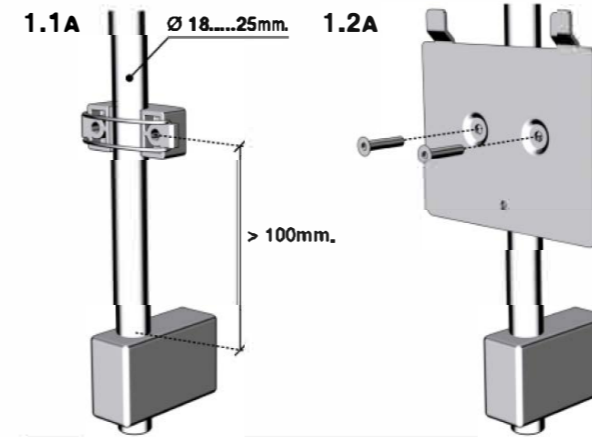


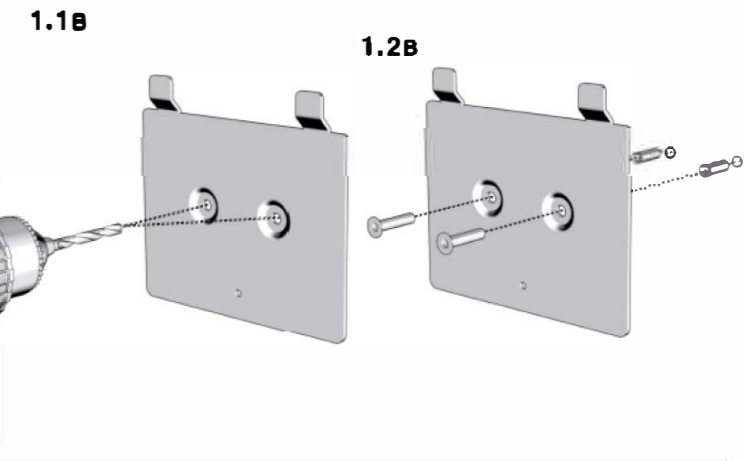
AcquaTempus



SHOWER BAR INSTALLATION



WALL INSTALLATION



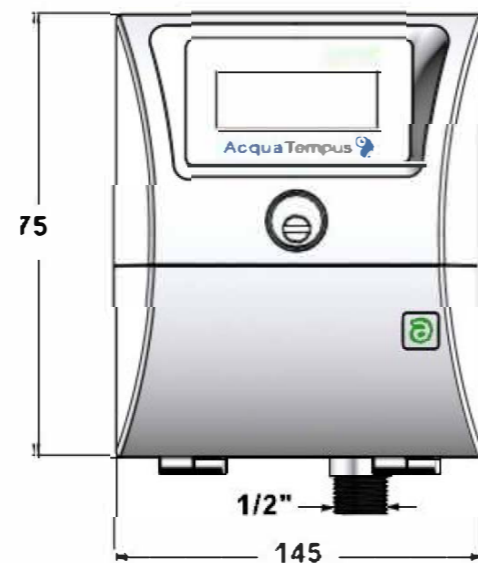
SECURITY SCREW

1.3



DATOS TÉCNICOS - TECHNICAL DATA

-  1.8 Kg
-  1-8 bar
-  lipo 3.7V 1Ah



V1.0



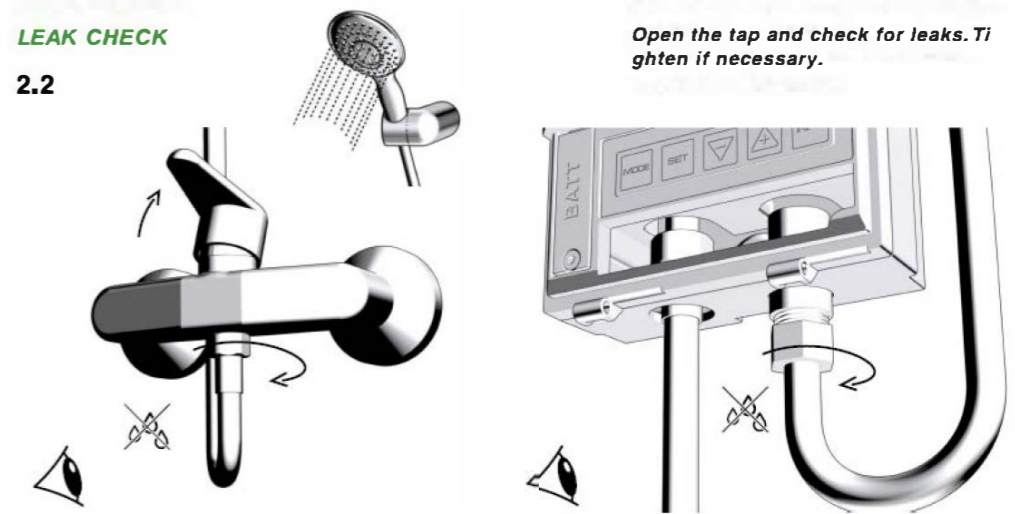
FITTINGS

2.1



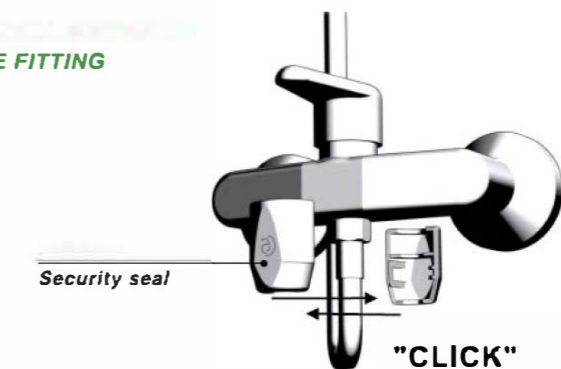
LEAK CHECK

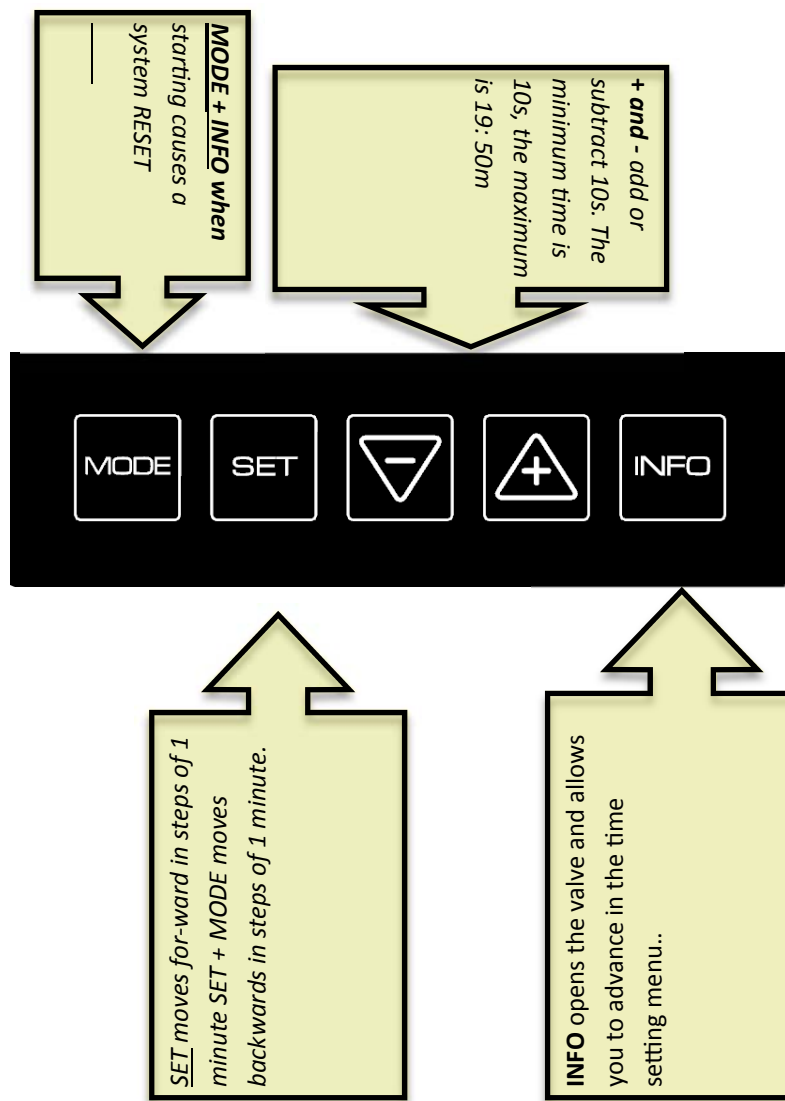
2.2



SEAL THE FITTING

2.3





PROGRAMMING

Acqua Tempus © (AT) has 4 parameters to configure: shower time, soaping time, waiting time and valve status after closing. To enter programming mode, press **INFO** for two seconds.



Shower time

With the + and - keys add or subtract 10 seconds to the factory default time (5m)
 With the SET key advance 1 min
 With the MODE and SET keys pressed simultaneously subtract 1 min.
 You have 2 options: let the screen turn off automatically or press INFO to continue programming. In both cases, the configuration will be saved in the equipment when finished.



Soaping time

The above process is adjusted identically



Waiting time

Adjusts identically to the above process

Valve status after Waiting time:

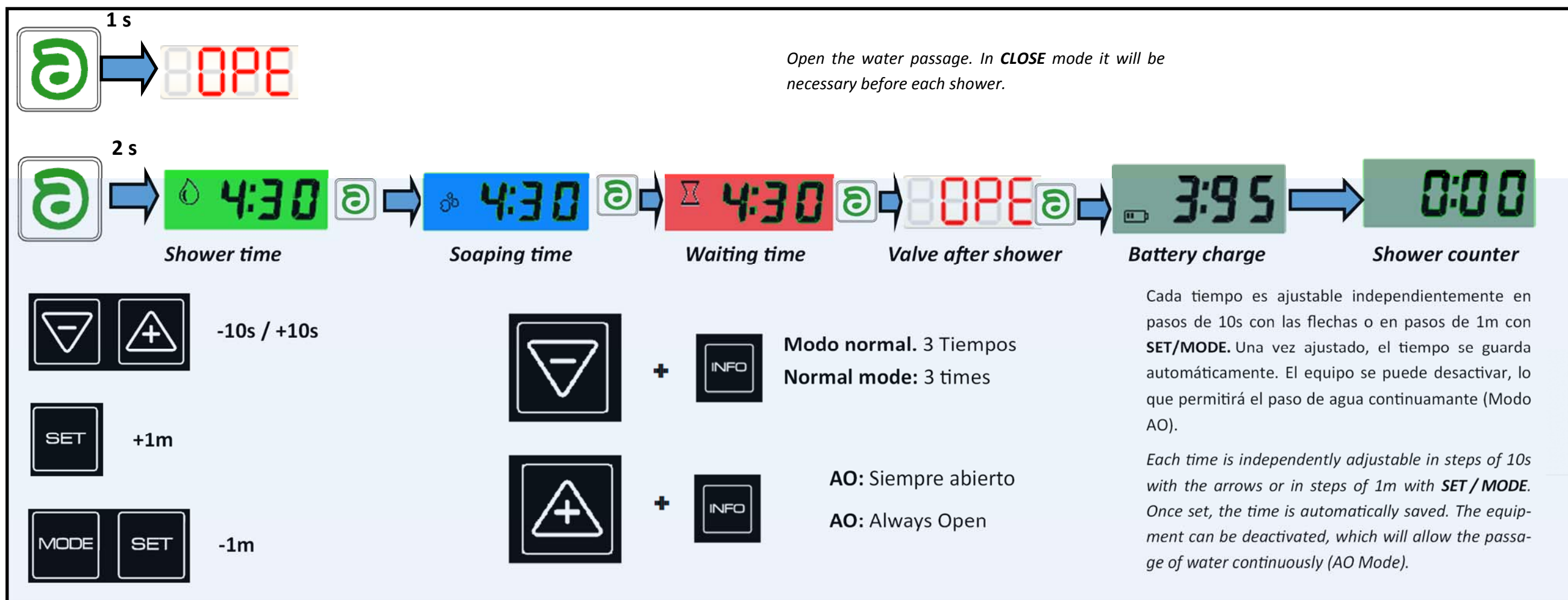
You can change the OPEN / CLOSE status with the +/- arrows

OPEN mode: when the waiting time expires AT opens the bypass valve preparing the equipment for a new cycle

CLOSE mode: when the waiting time ends, AT closes the bypass valve preparing the equipment for a new cycle. It will be necessary to press the @ key to start a new cycle.

Anti-Faucet-Open Mode:

The equipment is programmed to close the water flow valve if, after the waiting cycle, water flow is detected. It will be necessary to press the @ key to start a new cycle.



Cada tiempo es ajustable independientemente en pasos de 10s con las flechas o en pasos de 1m con SET/MODE. Una vez ajustado, el tiempo se guarda automáticamente. El equipo se puede desactivar, lo que permitirá el paso de agua continuamente (Modo AO).

Each time is independently adjustable in steps of 10s with the arrows or in steps of 1m with SET / MODE. Once set, the time is automatically saved. The equipment can be deactivated, which will allow the passage of water continuously (AO Mode).



ARELIA. ACQUA TEMPUS