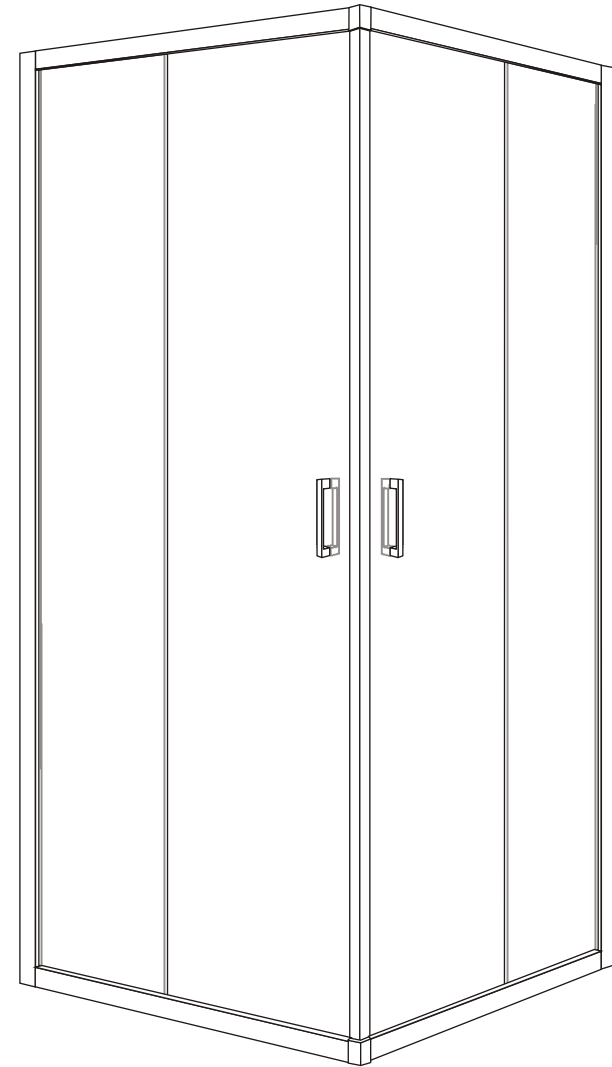


Installation Operation Manual

EA-002



SIZE:90X90X190cm

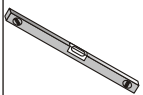

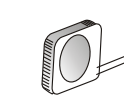
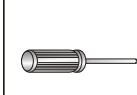




Important Reminder

1. Please install the shower enclosure according to the instruction strictly otherwise, it will affect the operational performance.
2. After opening the carton, please check the parts according to the part list.
3. Please handle the glass parts carefully, don't knock on the glass to avoid damage.
4. After installation completely, please use it after 24 hours.




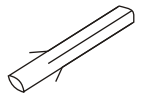
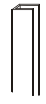
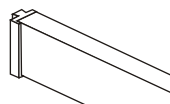



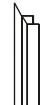

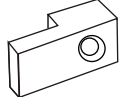

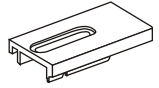

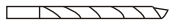
Notice

1. Do not let children, old people or disabled people enter the room alone.
2. Do not climb or hang heavy things on the shower enclosure.
3. Do not knock and impact the glass with heavy things.
4. Caution slippery on the inside of the shower enclosure.
5. Ordinary liquid detergent should be used with a soft cloth for cleaning.
6. Apply silicon to prevent water leakage.
7. Keep the tray clean, avoid hair and sundries to jam the drain.

Tools:

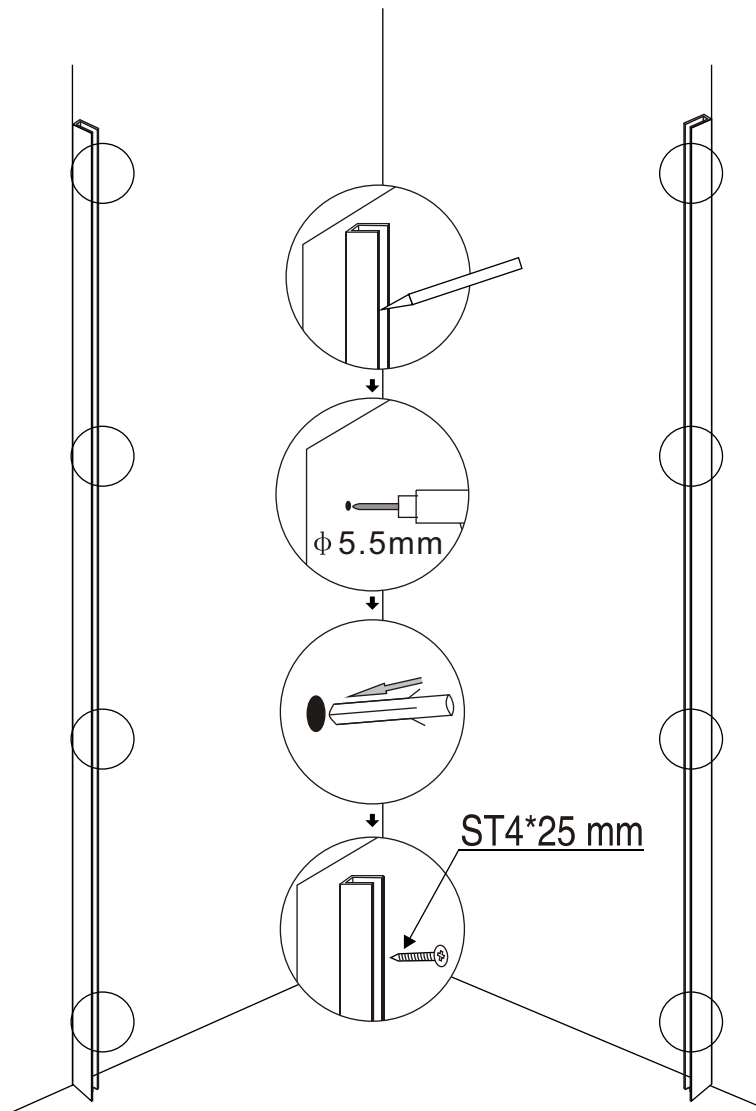
			
horizontal ruler	driller	Tape measure	cross screw driver
			
wrench	Hexagon ring spanner	silicon gun	Pencil

Part list

A  Screws ST4X25 X8	B  Screws ST4X20 X2	C  Screws ST4X35 X4	D  Wall plug X8
E  Wall Profile X2	F  X4	G  X2	H  X2
I  Handle X2	J  Rubber Seal X4	L  X2	M  X4
N  Screws ST4X16 X4	O  X2	P  X2	Q  3mm X1

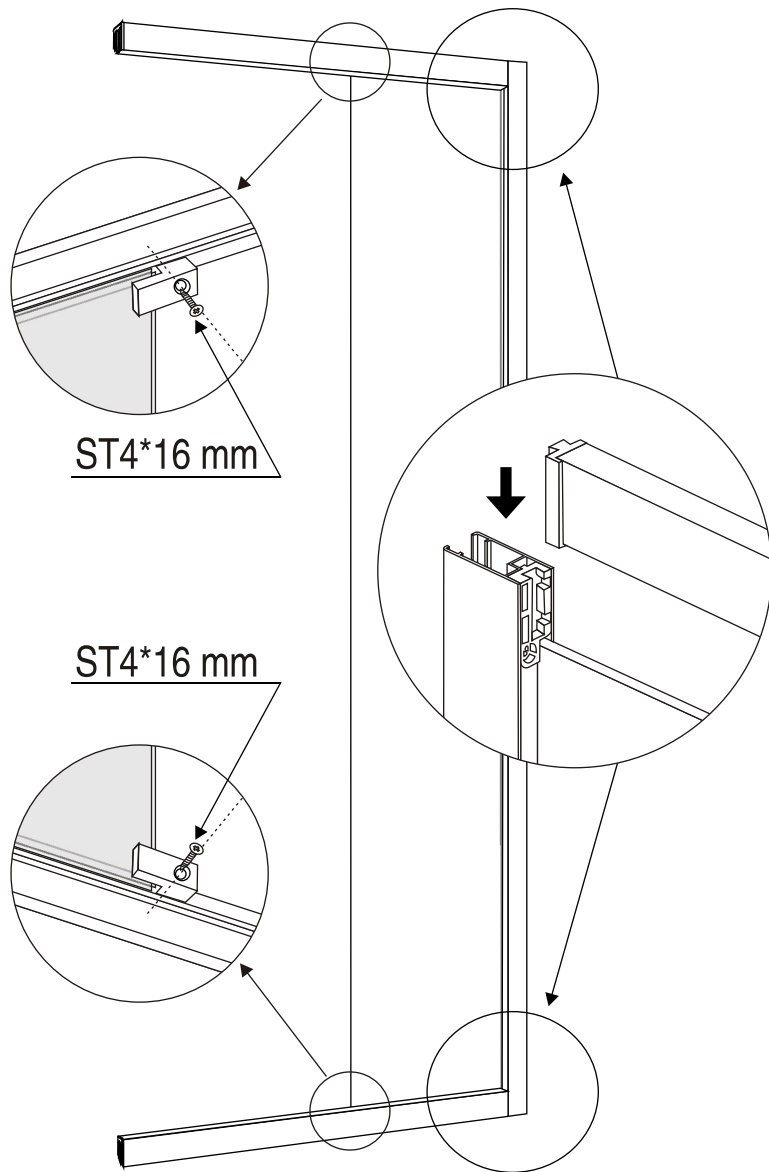
Installation Procedure

STEP 1:

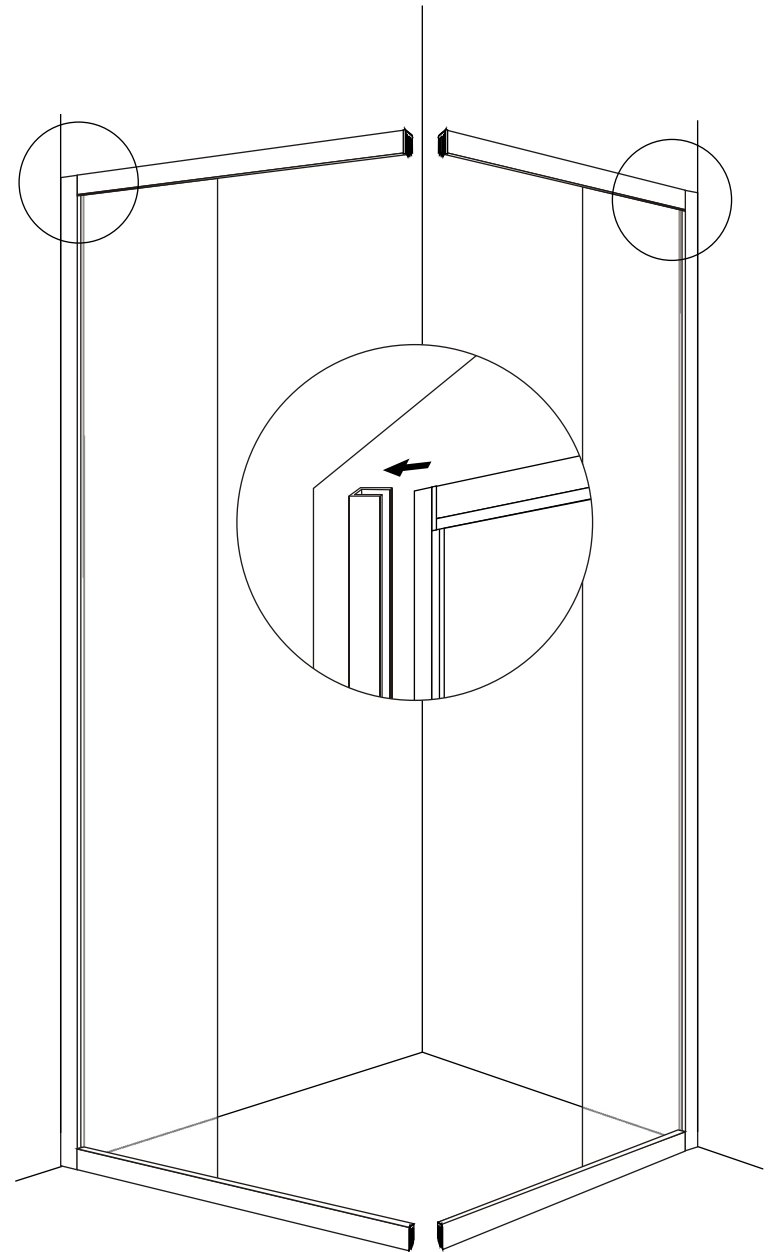


- Measure the correct distance from the corner to the required positions of the outside of the wall profiles and mark this position on the wall with a pencil.
- Position the wall profiles against these marks and use a spirit level to ensure they are vertical.
- Using the wall profiles as a template, mark the positions of the pre-drilled holes on the wall.
- Drill the positions marked using a 5.5mm drill bit.
- Use a rubber mallet to insert the wall plugs into the holes.
- Fix the wall profiles with screws 4x25mm.

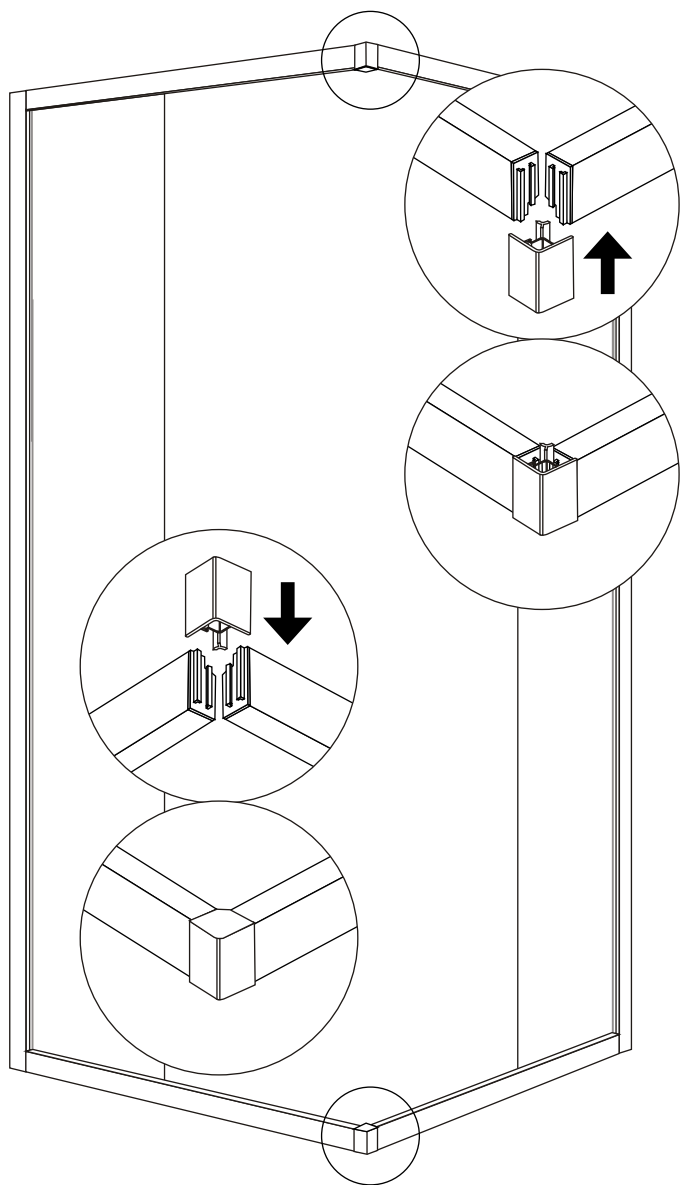
STEP2:



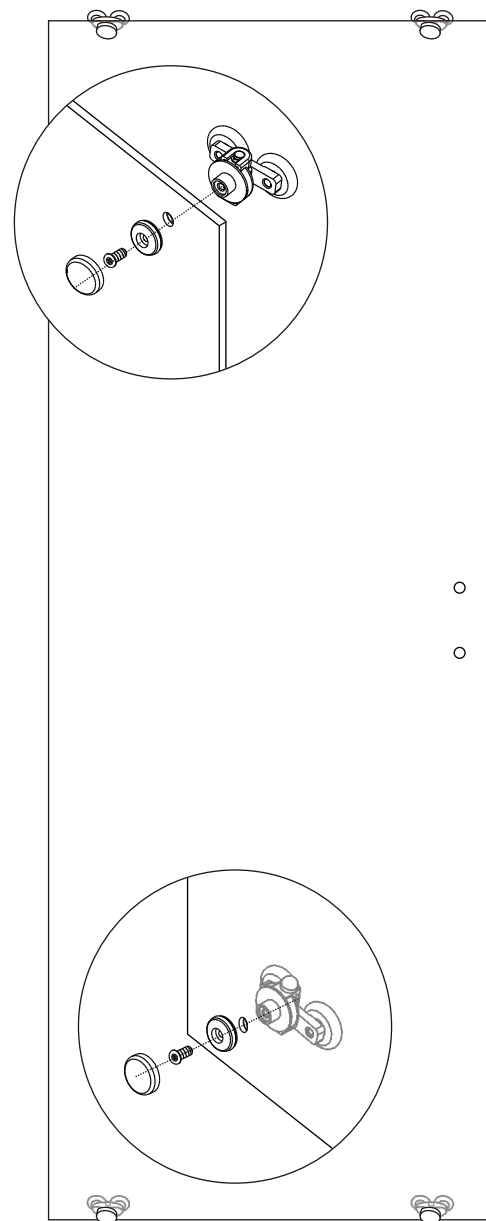
STEP3:



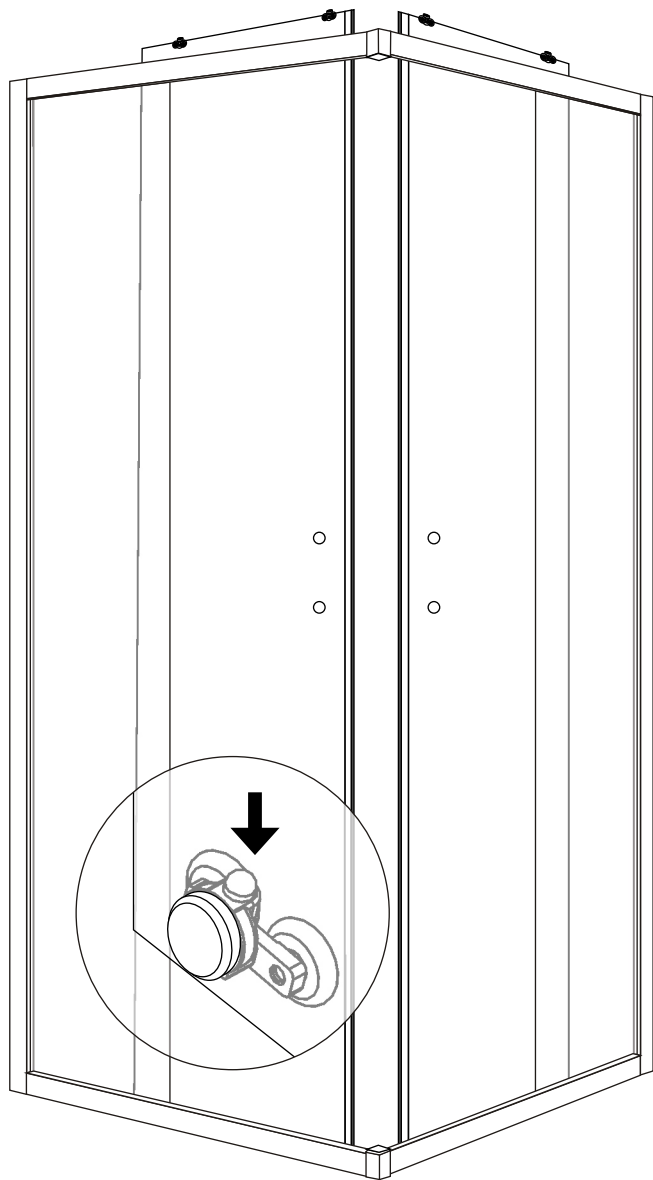
STEP4:



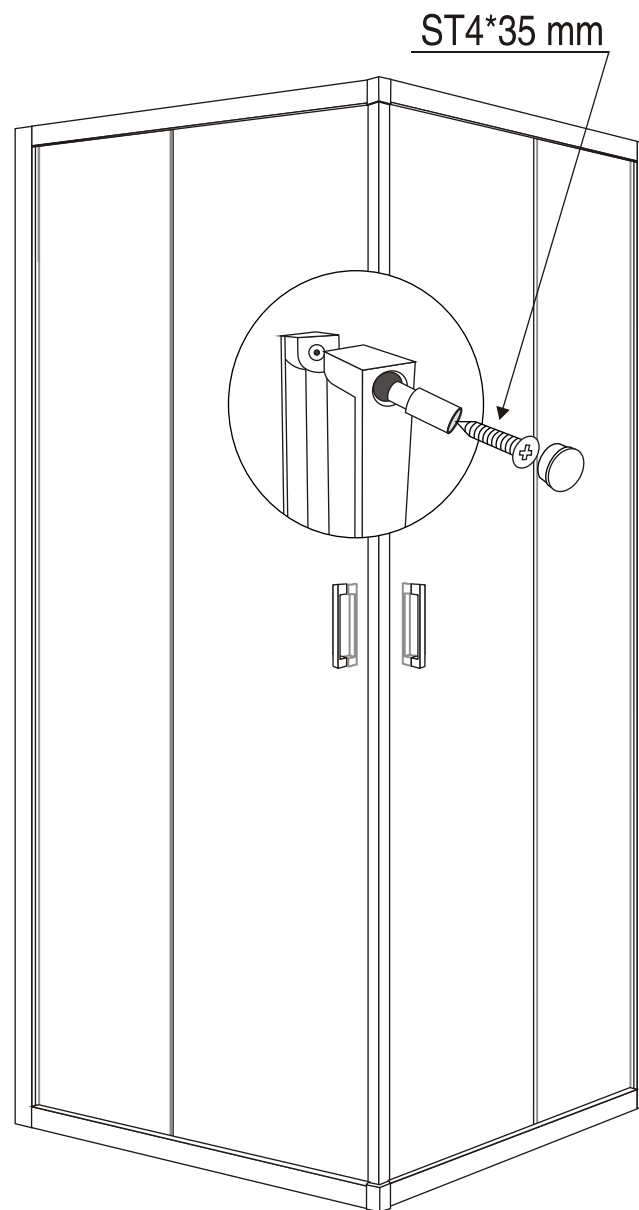
STEP5:



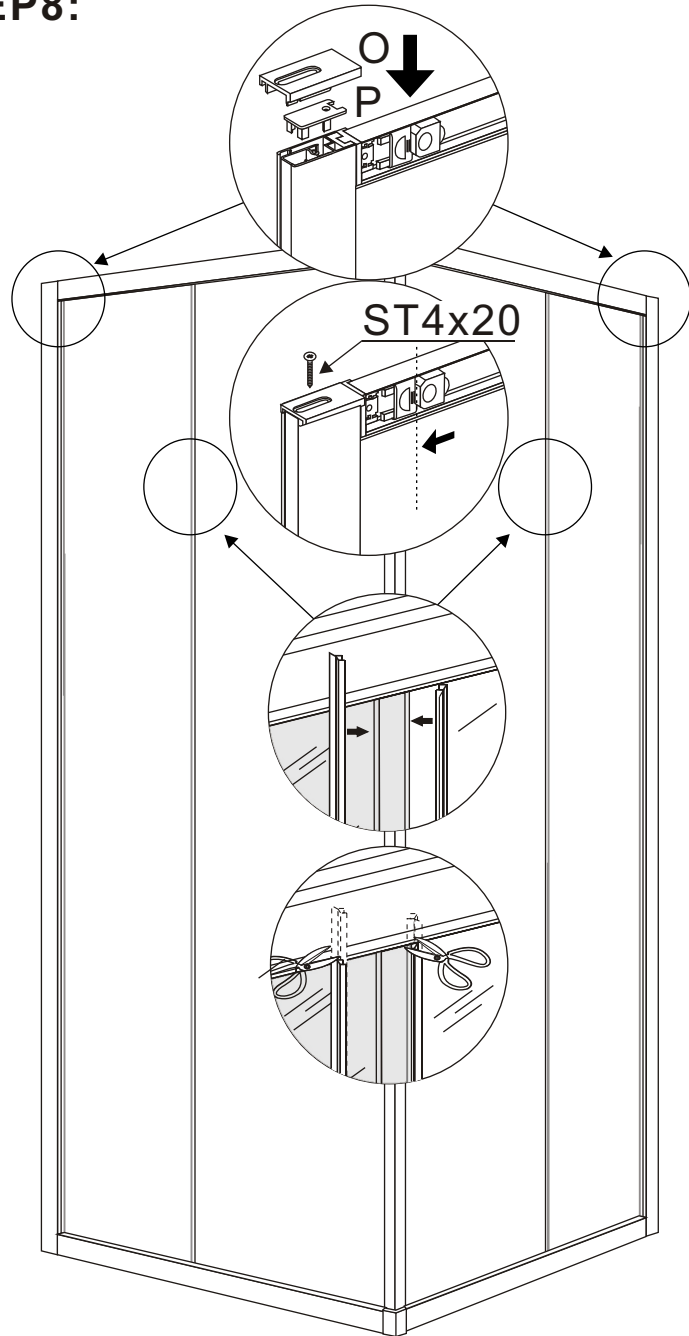
STEP6:



STEP7:

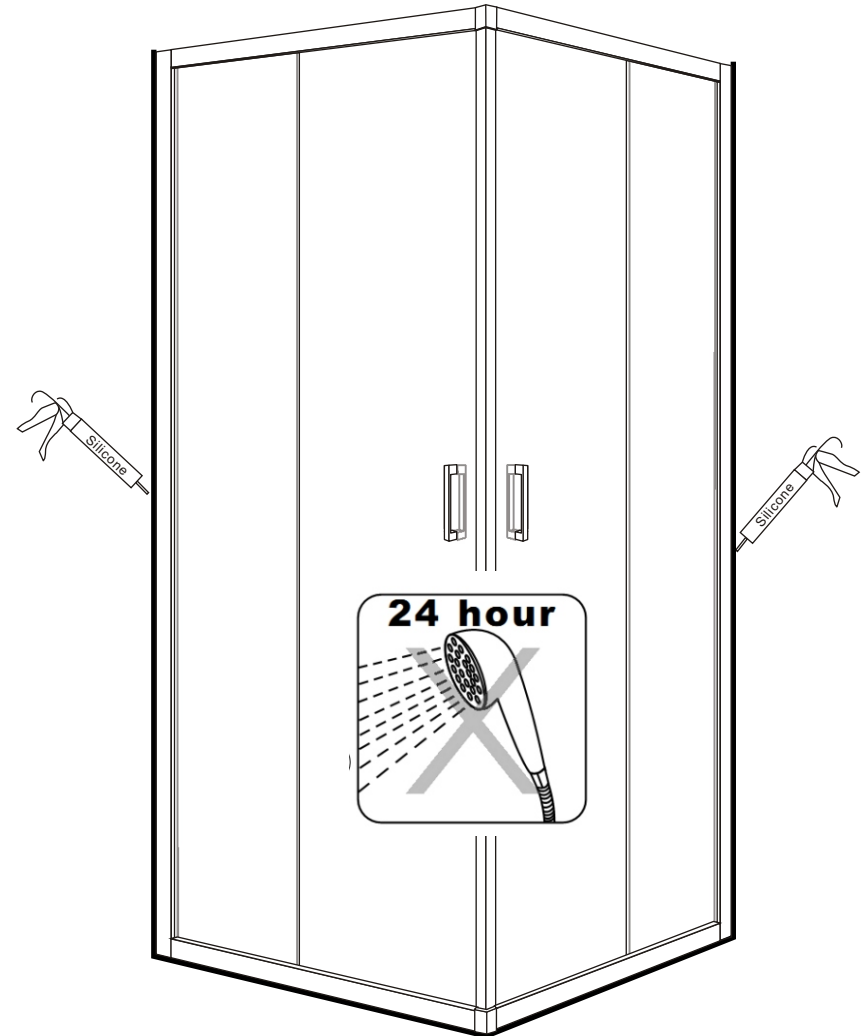


STEP8:



11

STEP9: Silicone Application



- Apply silicone sealant to all joints between wall profiles and tray.
- Do not use the enclosure for 24hours, to allow the silicone to dry completely.

12